

CHAOS

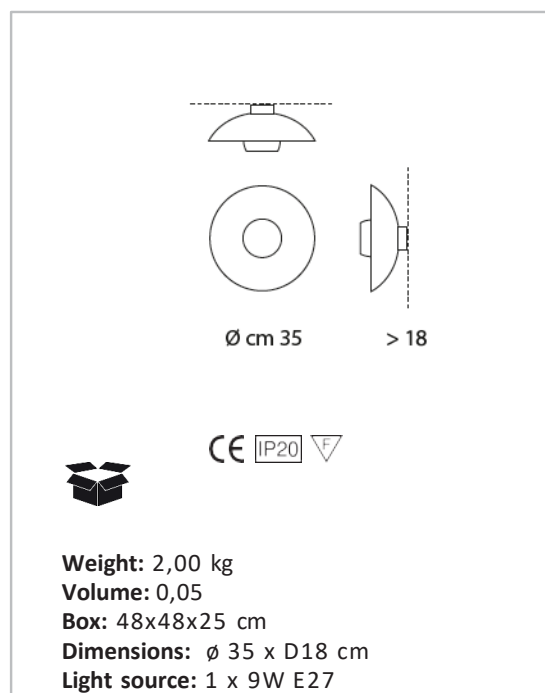
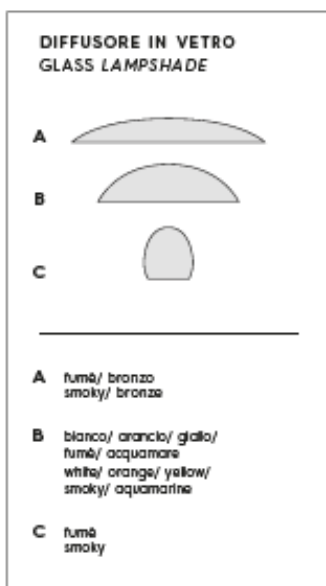
DESIGNER: CIERRESTUDIO

TECHNICAL DATA SHEET

LP 6/339

Applique composta da 2 diffusori in vetro, struttura disponibile in nickel o champagne spazzolato.
Illuminata con attacco E27.

Wall lamp composed of 2 glass lampshades, metal structure available in brushed nickel or champagne.
E27 Light source.



FINISHING

